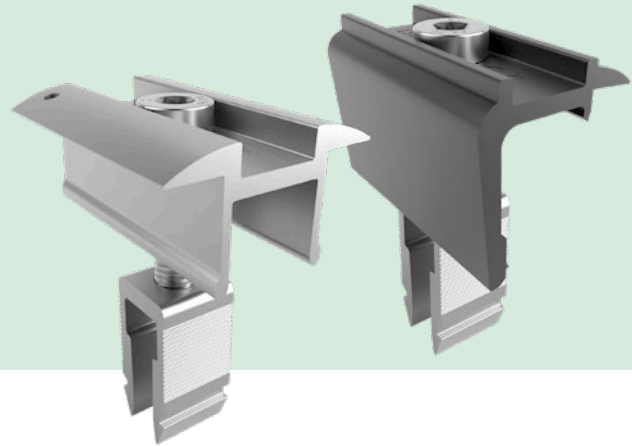


# MODULE CLAMP PRO



## PRODUCT SHEET

- + One module clamp for all frame heights
- + Quick and easy installation
- + New version with larger clamping area

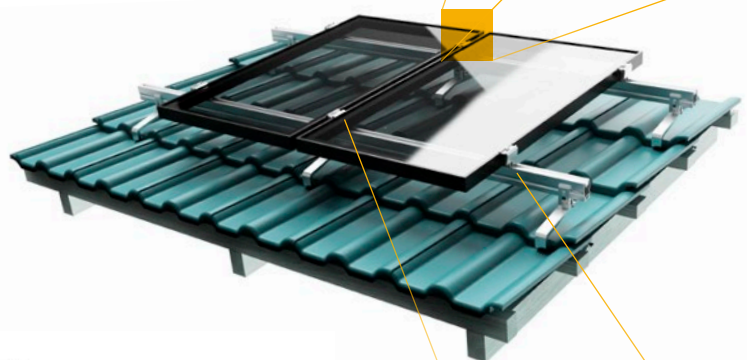


### ONE SOLUTION FOR ALL SITUATIONS

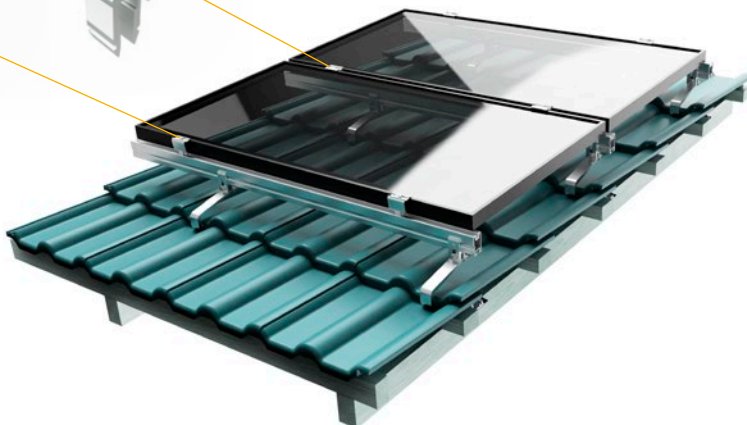
The Pro Clamp is designed for all Schletter module-bearing rails and supports in the ProLine series. With a range of 30 - 47 mm, the module clamp is compatible with all standard frame height solar modules. Each clamp has an integrated earthing pin.

The clamp claws can be rotated and are therefore suited to both portrait and landscape (linear) clamping.

All clamps are also available in black anodised to match black module frames.



**Landscape**



**Portrait**



## TECHNICAL DETAILS

|                                |  |
|--------------------------------|--|
| <b>Scope of application</b>    | Clamp for framed modules   |
| <b>Material</b>                | System components: Aluminum<br>Screws: Stainless Steel   |
| <b>Planning aid</b>            | Configuration and design report using the Schletter Configurator   |
| <b>Structural design</b>       | Structural calculation based on current recognized rules of technology. Structural verification of the mounting system is based on the relevant Eurocodes in conjunction with general building inspectorate approvals. The load assumptions comply with DIN EN 1991-1 and the regulations of the national annex. Verification of roofing and building is not included. Notes in the verification must be observed. |
| <b>Clamping area</b>           | 50 x 8,5 mm  |
| <b>Fixation</b>                | Torx T40 screw, cylindrical head M8 hexalobular<br>Predetermined torque: 15 Nm   |
| <b>Warranty</b>                | 25 years in accordance with our Guarantee Terms and Conditions   |
| <b>Supplementary documents</b> | Module Clamp Pro Installation Instructions<br>Product Catalogue - Framed module clamps   |

## ITEM OVERVIEW

| AL BLANK          |                  |         | BLACK ANODIZED    |                  |         |
|-------------------|------------------|---------|-------------------|------------------|---------|
| <b>131021-001</b> | Middle Clamp Pro | PU: 100 | <b>131021-901</b> | Middle Clamp Pro | PU: 100 |
| <b>131021-000</b> | End Clamp Pro    | PU: 50  | <b>131021-900</b> | End Clamp Pro    | PU: 50  |